

Low ripple
Gas & Liquid pump
Dual or single head
with DC motor

The Boxer 10000 is a unique miniature high performance liquid and gas pump. The dual head arrangement eliminates flow pulsation.

The pumps can be supplied with either parallel head configuration for max flow or with series head configuration for max vacuum & pressure performance.

The use of high performance engineering plastics in the pump's construction allows it's use in high temperature applications .



- Liquid flow rate of up to 08l/min
- No pulsation
- No metal in flow path
- Dual or single head
- High quality brushed motor
- High temperature applications
- Optional back shaft encoder
- Maintenance free
- CE marked

Technical Data:

Flow.....	0.4l/min per head—0.8l/min from combined heads in parallel
Max pressure.....	1bar with heads configuration in series/0.5 bar in parallel
Motor	Permanent Magnet brushed 12V DC or 24V
Motor option.....	Brushless DC with integrated electronics
Wetted path materials...	PPS (polyphenylene sulphide), Neoprene, Silicone, Nitrile
Tube connections	Barbed fittings for IDØ3.2mmtubing
Maximum current.....	390mA
Max ambient operational temperature	50°C
Max media temperature.....	100°C
Dispense vol per head per full motor rotation	500µl
Weight	Boxer 10001/3 160g Boxer 10002/4 175g

Ordering information

The pumps come as standard arranged in parallel configuration.
Arrangement of heads for series configuration can be supplied upon request.

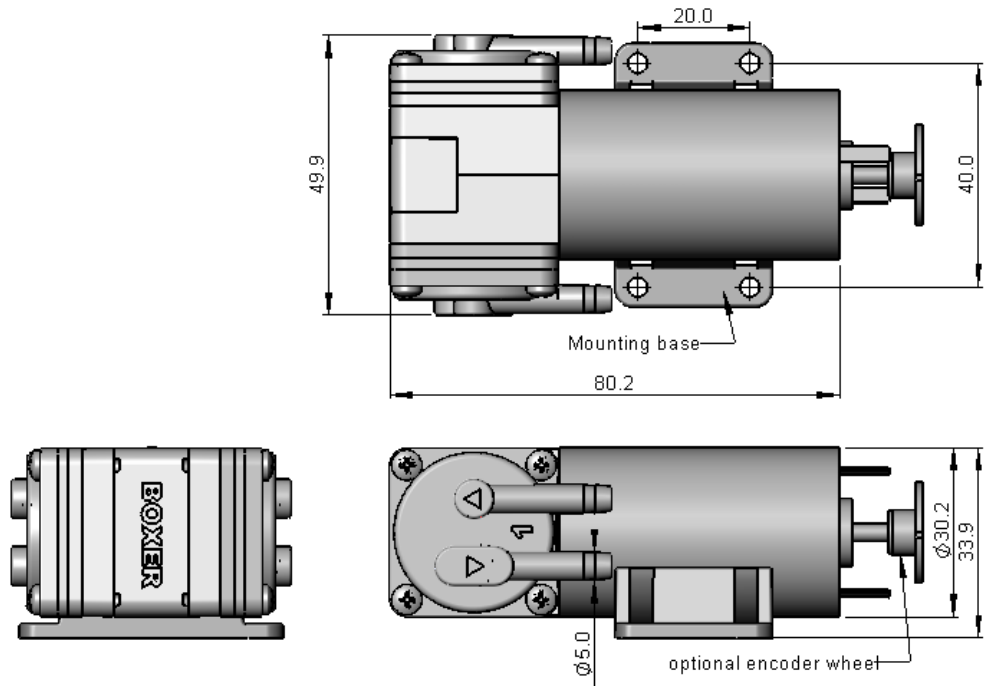
Boxer 10K single headed for 12V operation	10001.000
Boxer 10K double headed for 12V operation.....	10002.000
Boxer 10K single headed for 24V operation	10003.000
Boxer 10K double headed for 24V operation.....	10004.000



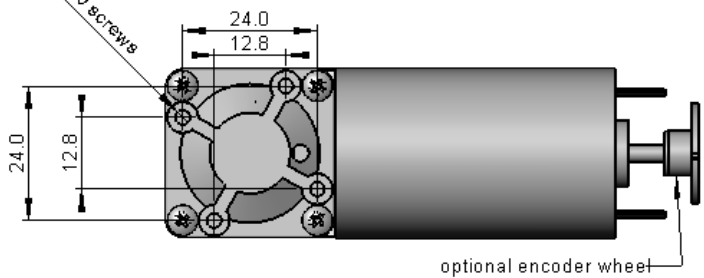
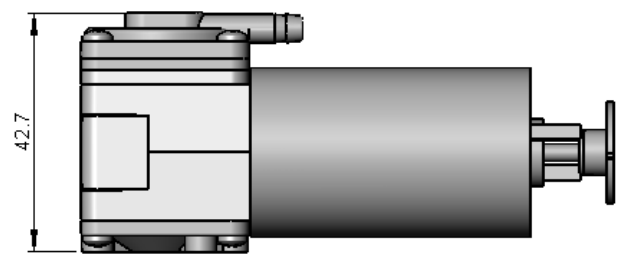
uno.

BOXER® PUMPS

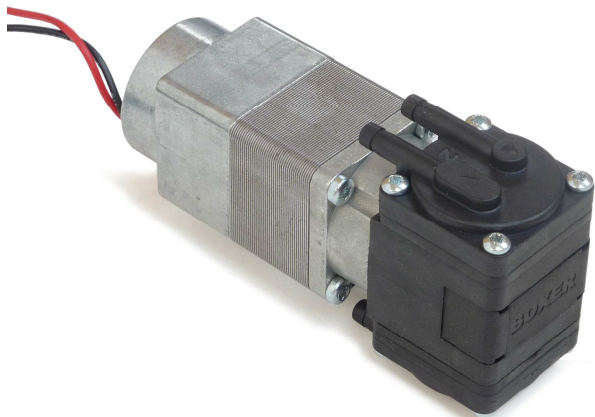
Uno International Ltd.
20 Belsize Avenue
London NW3 4AU
Tel: +44 (0)20 7794 4080
Fax: +44 (0)20 7431 1426
Email: uno@boxerpumps.com
www.boxerpumps.com



10002.000 Double Headed Pump



10001.000 Single Headed Pump



Optional 10K pump with brushless motor & integrated electronic driver

Third angle projection—do not scale