



The DC motor driven Boxer 3000 diaphragm pumps are ideal for vacuum or pressure application where low current and reliability are prime requirement. Boxer 3000 pumps are manufactured in non-corrosive engineering materials. The wetted path is metal free. The option of Silicone diaphragm and valves allow trouble free operation even in extremely low temperatures. Highest quality ball bearings on cranks and motor shafts ensure the lowest current consumption with maximum operational life.

Boxer 3000 pumps are oil free. The absence of any sliding seals or components in the fluid path of the pump guarantees a contamination free transfer of media – whether liquid or gas.

The liquid version of the pump is self priming and can run dry without any adverse effects.

The exit and entry ports can be rotated and fixed in four orientations to optimise assembly in tight oem applications.
No metals in flow path.
Fixing bracket included as standard

Choice of two types of motors is available:

- High quality DC motor for 6V, 12V or 24V operation
- Low cost DC motor for 6-24V operation

Boxer 3211– Liquid pump	1.2 l/min max liquid flow
Boxer 3111– Gas pump	8.2l/min max gas flow

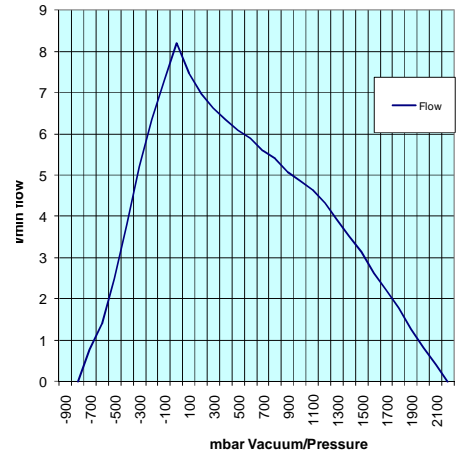
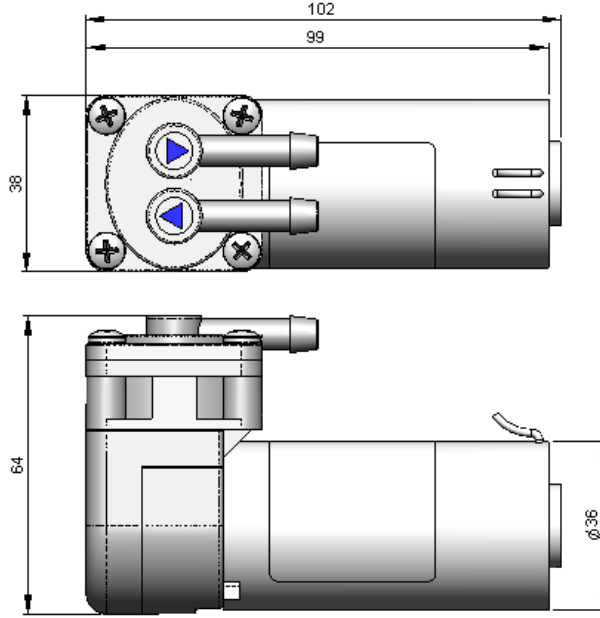
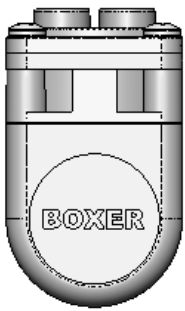
Max system pressure	2 Bar
Liquid suction height	3mH ₂ O in parallel configuration 5mH ₂ O in series configuration

Technical Data:

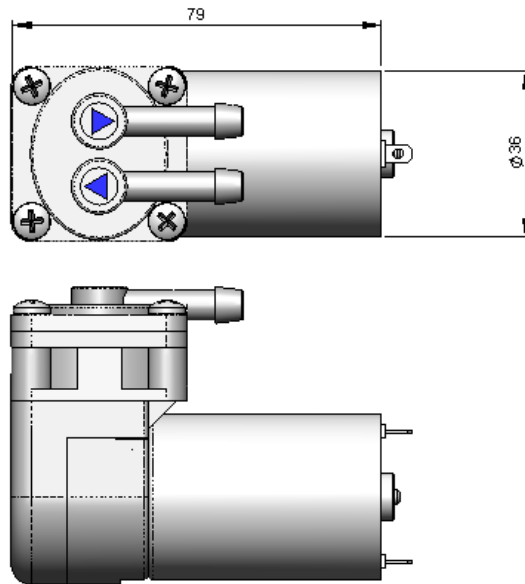
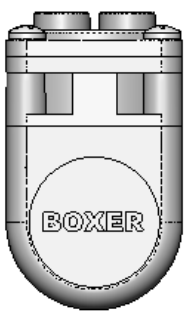
Max system pressure	2.2bar
Max system vacuum	800mbar
Wetted path materials	PPS (polyphenylene sulphide), Silicone, Nitrile, Viton
Tube connections	Barbed fittings for IDØ6.0mm tubing
Maximum current	390mA
Max ambient operational temperature	50°C
Max media temperature	100°C
Dispense vol per head per full motor rotation	2.5ml
Weight	High quality motor 377g Low cost motor 233g

Available accessories:
vibration mounts/dust filters with condensation traps/noise dumpers

3001 with high quality motor



3001 with low cost motor



Ordering information

The pumps come as standard arranged in parallel configuration.
 Arrangement of heads for series configuration can be supplied upon request.

Boxer 3101 single headed gas pump for 12V operation HQ Motor.....	3111.120
Boxer 3101 single headed gas pump for 24V operation HQ Motor.....	3111.240
Boxer 3101 single headed gas pump for 12-24V operation LC Motor	3111.500
Boxer 3201 single headed Liquid pump for 6V operation HQ Motor	3211.060
Boxer 3201 single headed Liquid pump for 12V operation HQ Motor	3211.120
Boxer 3201 single headed Liquid pump for 24V operation HQ Motor	3211.240
Boxer 3101 single headed Liquid pump for 6-12V operation LC Motor.....	3211.500