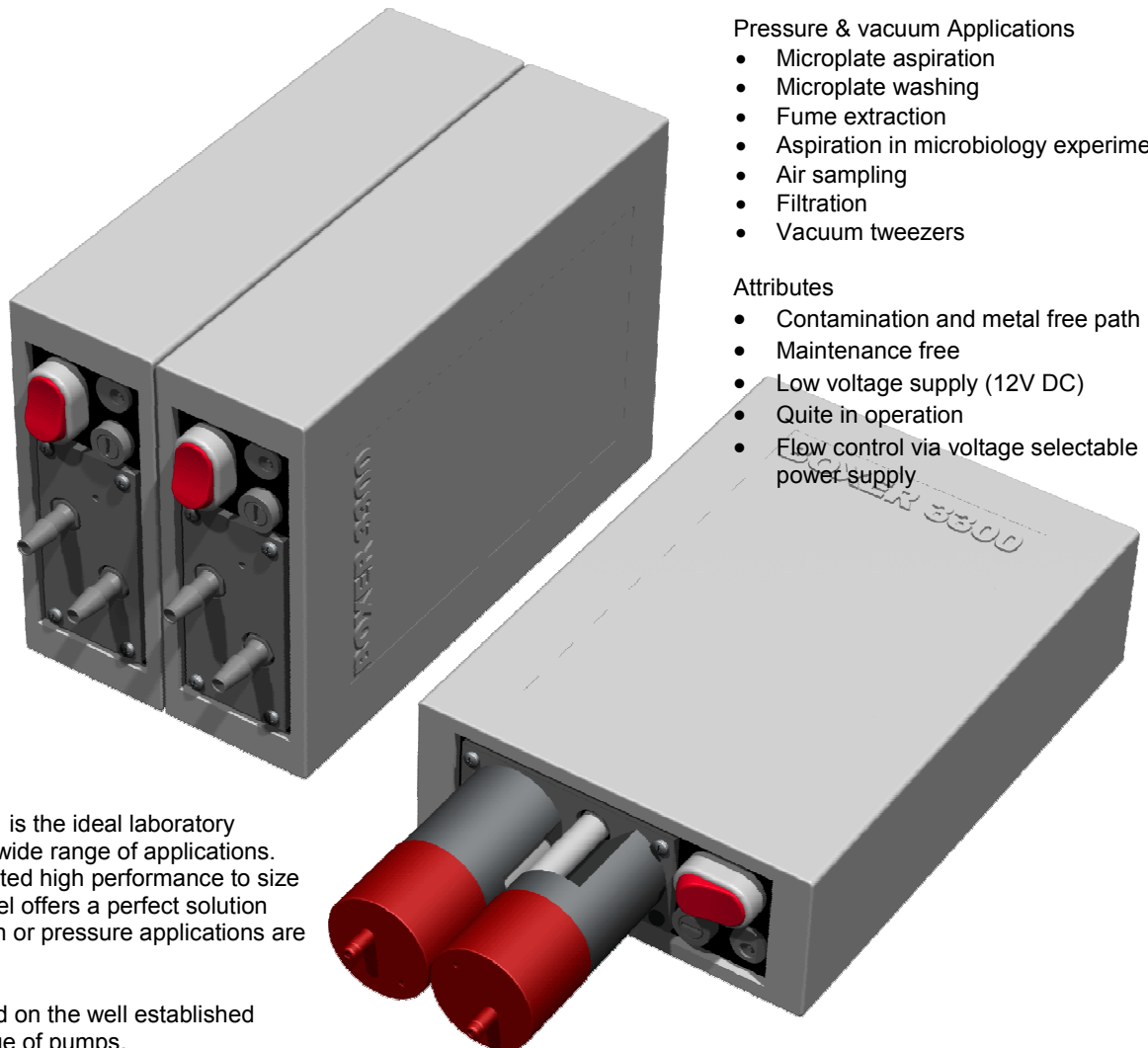


uno.

BOXER[®] PUMPS

BOXER 3300
Diaphragm Pump

Low voltage laboratory pump for all general pressure and vacuum applications



Pressure & vacuum Applications

- Microplate aspiration
- Microplate washing
- Fume extraction
- Aspiration in microbiology experiments
- Air sampling
- Filtration
- Vacuum tweezers

Attributes

- Contamination and metal free path
- Maintenance free
- Low voltage supply (12V DC)
- Quite in operation
- Flow control via voltage selectable power supply

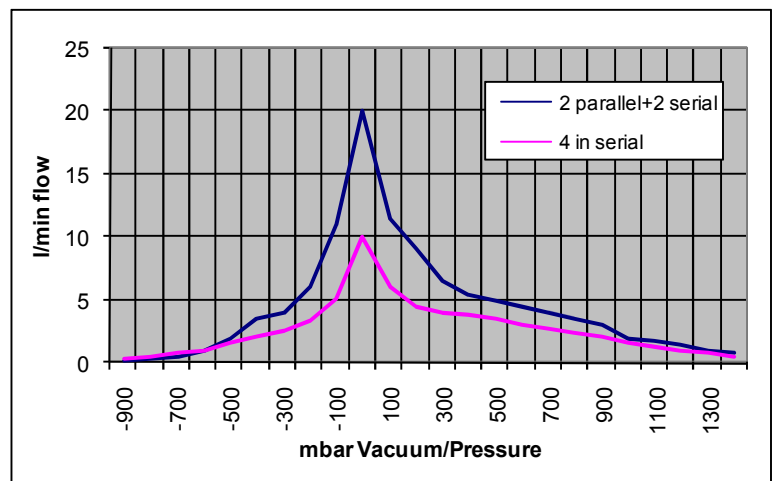
The Boxer 3300 is the ideal laboratory accessory for a wide range of applications. The unprecedented high performance to size ratio of this model offers a perfect solution wherever suction or pressure applications are required.

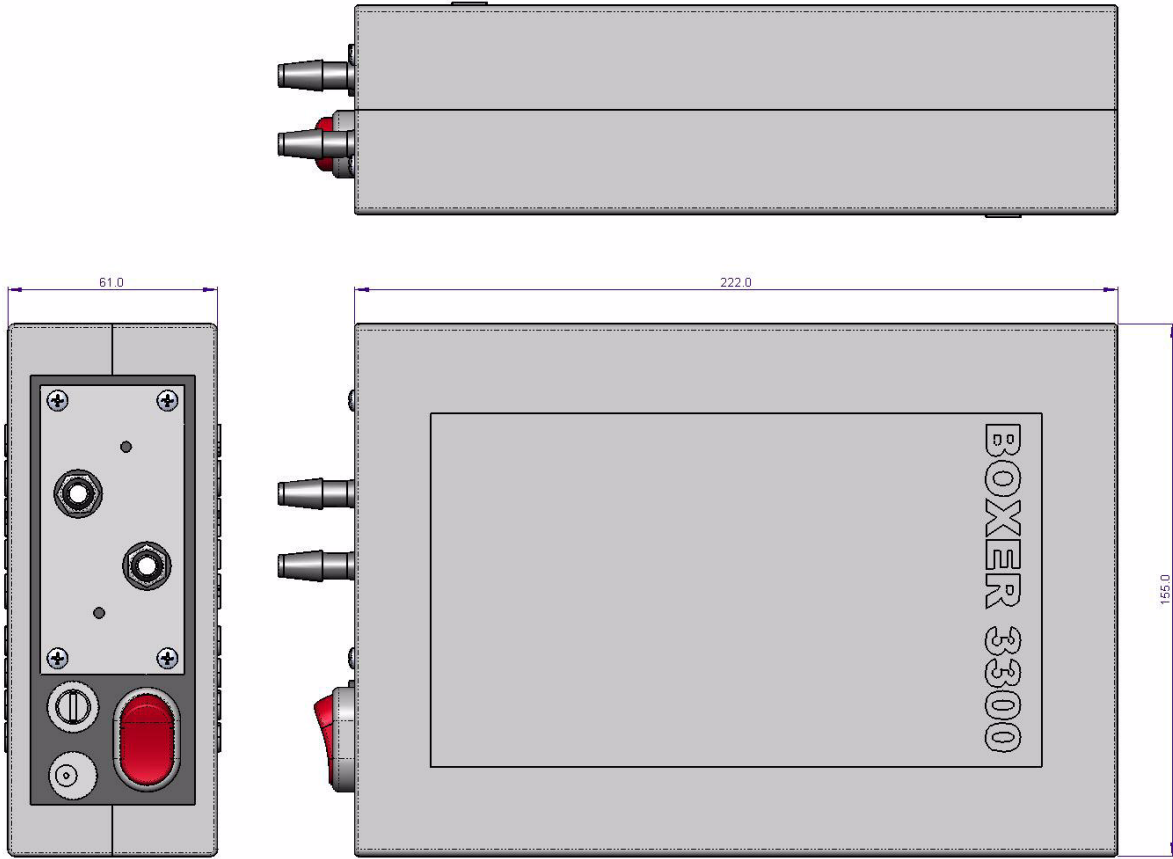
The unit is based on the well established Boxer 3000 range of pumps.

The pump is particularly designed as a flat package to compliment any laboratory shelf, and can be operated in any orientation.

The pump operates on 12V DC and being a low voltage pump is safe to operate in any laboratory environment. A remote switch mode power supply supplies the correct voltage to the equipment from any 110V to 240V source. Air flow can be adjusted via the selectable voltage switch on the remote power supply.

The 3300 series pump can be easily fitted with the filter and silencer which are offered as economical semi-disposable accessory.





Third angle projection.

Technical data:

Model P – parallel configuration

Max free flow l/min 20
 Max vacuum 700mbar
 Max pressure 1200mbar

Selectable voltage settings on PSU: 3V, 4.5V, 6V, 7.5V, 9V, 12V

Model S – serial configuration

Max free flow l/min 17
 Max vacuum 900mbar
 Max pressure 1400mbar

Wetted path materials: Nitrile, Polypropylene & Silicone
 Dimensions 155mmX61mmX222mm
 Weight (with PSU) 1.7Kg
 Power requirement 230V/110V AC

Ordering information:

PowerBox 3000S air pump 3300S
 PowerBox 3000P air pump 3300P
 Set of air filter and silencer 3320

Made in UK



Switch mode PSU with selectable supply voltage

