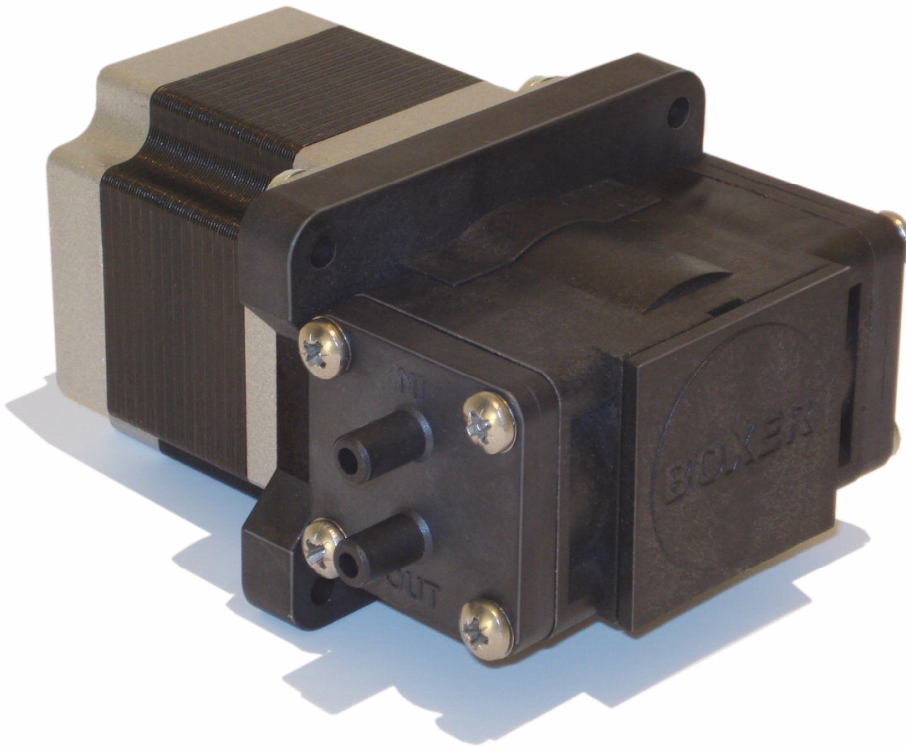


uno.

BOXER® PUMPS

Boxer 3500
Diaphragm Pump

Stepped motor
double headed
diaphragm pumps
for gases & liquids.



Up to 2 l/min liquids Up to 5 l/min air

- Control from 10rpm to 1000rpm
- Serial or parallel head configuration
- Integrated home sensor
- Choice of diaphragm materials
- Choice of eccentrics
- Choice of two head designs
- Also available as single head
- Panel mounting
- Minimum pulsation
- No lubrication
- Maintenance free
- Self priming
- Stepper motor controller as extra

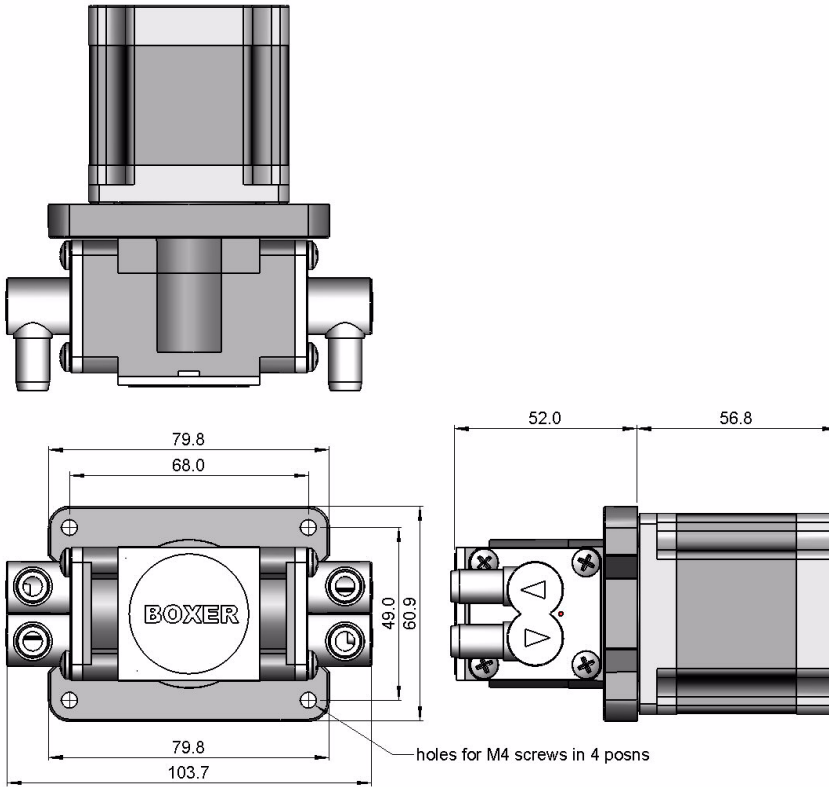
Boxer 3501 - single headed liquid pump
 Boxer 3502 - double headed liquid pump
 Boxer 3601 - single headed gas pump
 Boxer 3602 - double headed gas pump

Stepper Motor: 6V DC-30V DC 2.8A/Phase
 Full steps per rev 200
 Resistance per phase 0.83
 Inductance per phase mH 2.2
 Motor wire gauge UL1007 AWG22
 Built in home sensor Meder MK20/1 Reed Switch
 Sensor wire gauge AWG30
 Max ambient operational temperature 50°C
 Max media temperature 50°C
 Material wetted parts NBR, Silicone & PPS (polyphenylene sulphide)
 Port spigots....Head Design A: Ø9.3mm OD Head Design B: Ø6.5mm OD
 Weight 752g

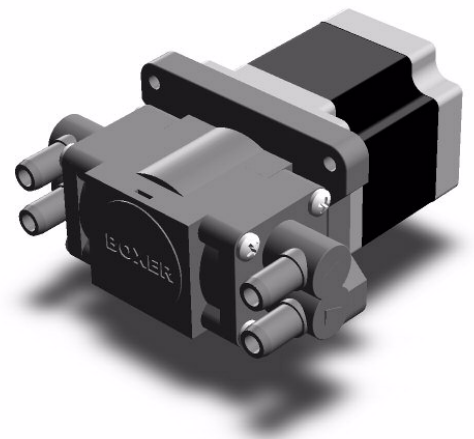
Technical Data Liquid Pumps:

CV 3%CV
 Dispensed liquid per rotation (200 steps) Head Design A 1ml±10%*
 Dispensed liquid per rotation (200 steps) Head Design B 0.6ml±10%*
 Max system pressure 2 Bar
 Built in home sensor Meder Reed Switch

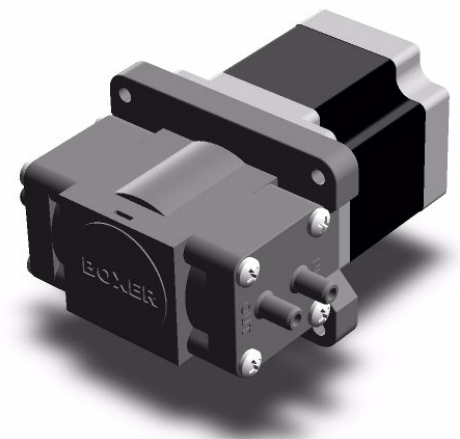
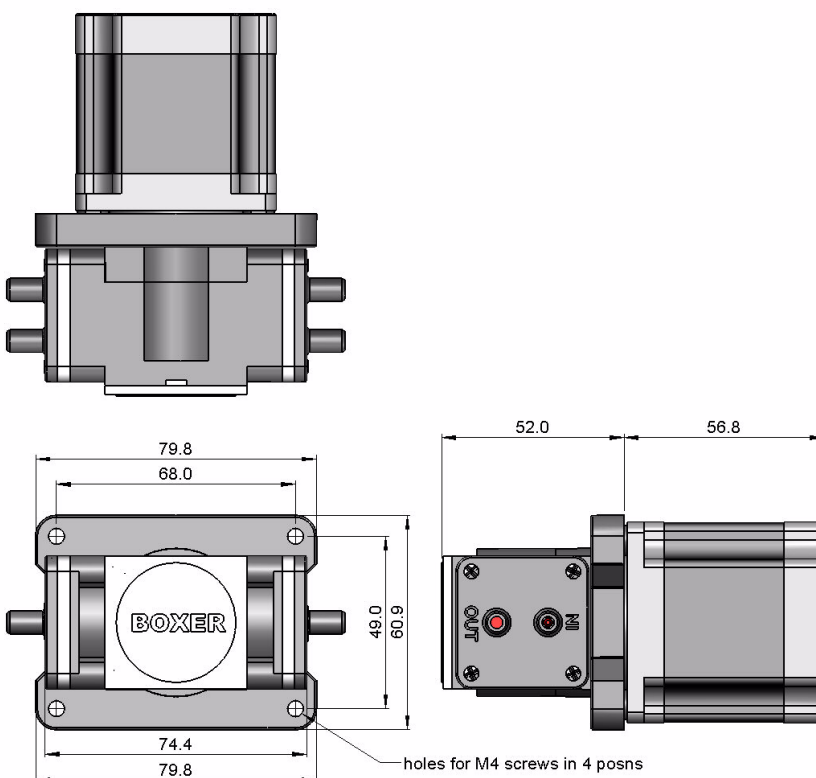
* dispensed volume per rotation will vary with motor speed and acceleration.



Lead No.	Colour	Function
1	Black	Phase A
2	Green	Phase A-
3	Red	Phase B
4	Blue	Phase B-



Boxer 3500A /3600A



Boxer 3500B/3600B

Orientation of entry & exit port plate is selectable by the user