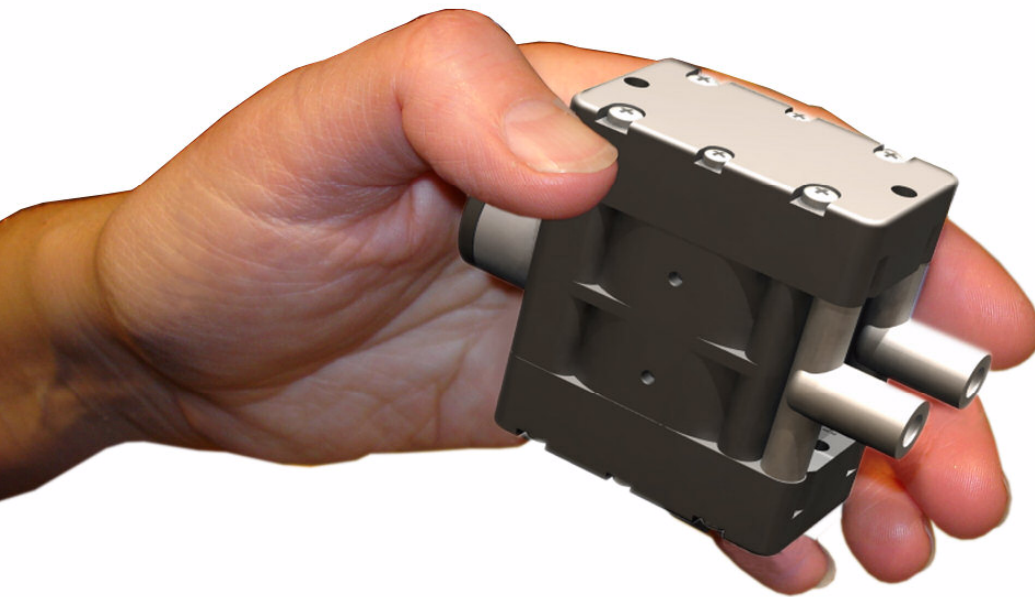


**uno.**

**BOXER® PUMPS**

**Boxer 5000**  
Diaphragm Pump

High performance oem  
gas diaphragm pump  
Up to 10l/min  
in minimal space



- Serial or parallel head configuration
- Combined flow up to 10l/min
- Choice of DC motors
- Choice of eccentrics
- High performance to size ratio
- Easy clip fixings
- Minimum pulsation
- No lubrication
- Maintenance free
- Self priming

*Boxer 5101 - single headed gas pump*  
*Boxer 5102 - double headed gas pump*

Motor: core-less for continuous applications Boxer 5000AP ..... 6V DC  
Motor: iron core for intermittent operation Boxer 5000MP ..... 12V DC  
Maximum current AP/MP ..... 260mA/600mA  
Max ambient operational temperature ..... 50°C  
Max media temperature ..... 50°C  
Material wetted parts ..... EPDM, Silicone & PPS (polyphenylene sulphide)  
Port spigots ..... Boxer 5001 Ø4.5mm OD...Boxer 5002 Ø6.0mm ID  
Weight ..... Boxer 5001-115g.....Boxer 5002-140g

*Technical Data Gas Pumps:*

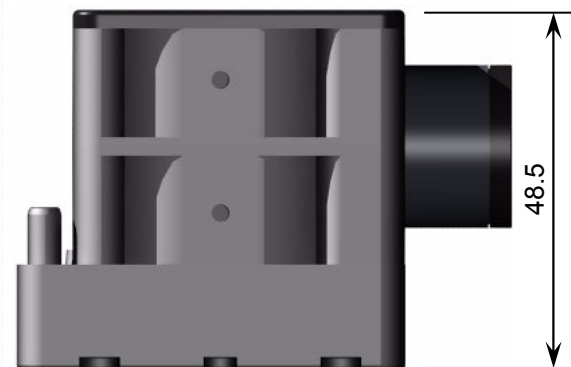
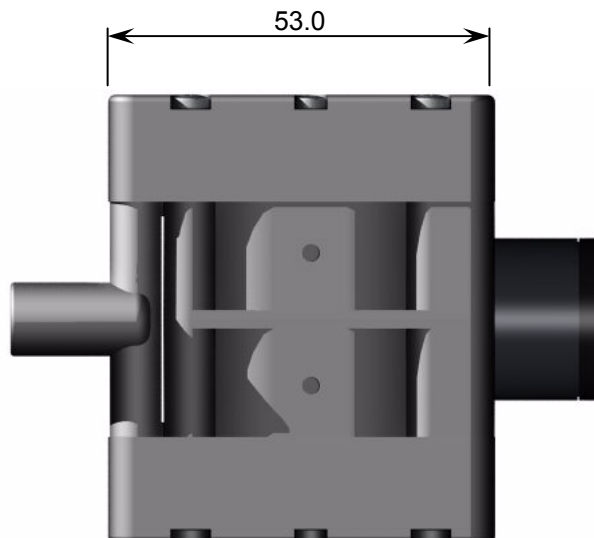
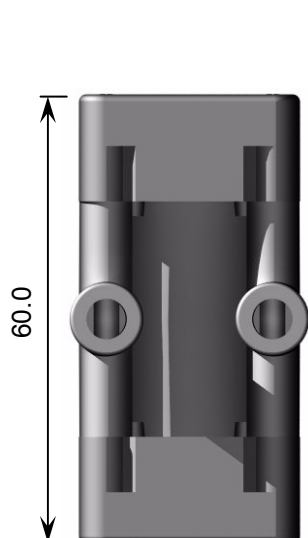
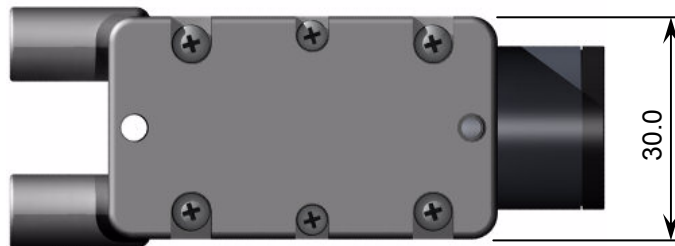
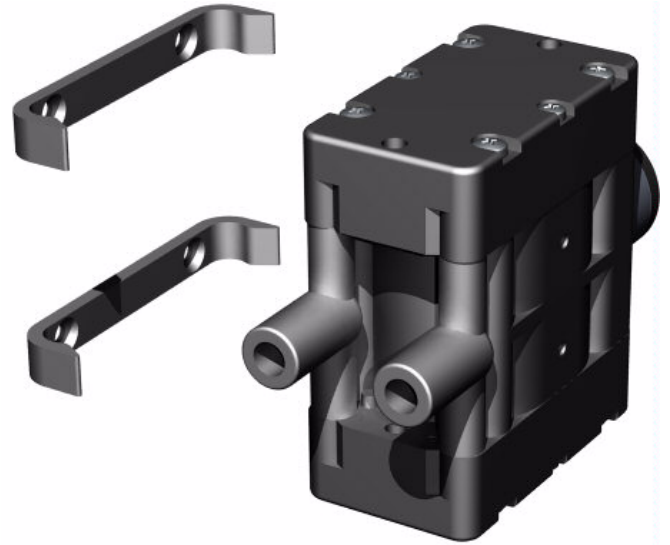
Attainable pressure .... Boxer 5101-600mbar .....Boxer 5102-500 mbar  
Attainable vacuum..... Boxer 5101-400mbar .....Boxer 5102-500 mbar  
Max free flow ..... Boxer 5101-5.5l/min ..... Boxer 5102-10.0l/min

*Use coreless motor for continuous running.  
Use iron core motor for intermittent applications.*

*Boxer 5101AP - single headed gas pump coreless motor  
Boxer 5101MP - single headed gas pump iron core motor*

*Boxer 5102AP - double headed gas pump coreless motor  
Boxer 5102MP - double headed gas pump iron core motor*

*Enclosure to IP65 is available as extra.*



Boxer 5102

Boxer 5101